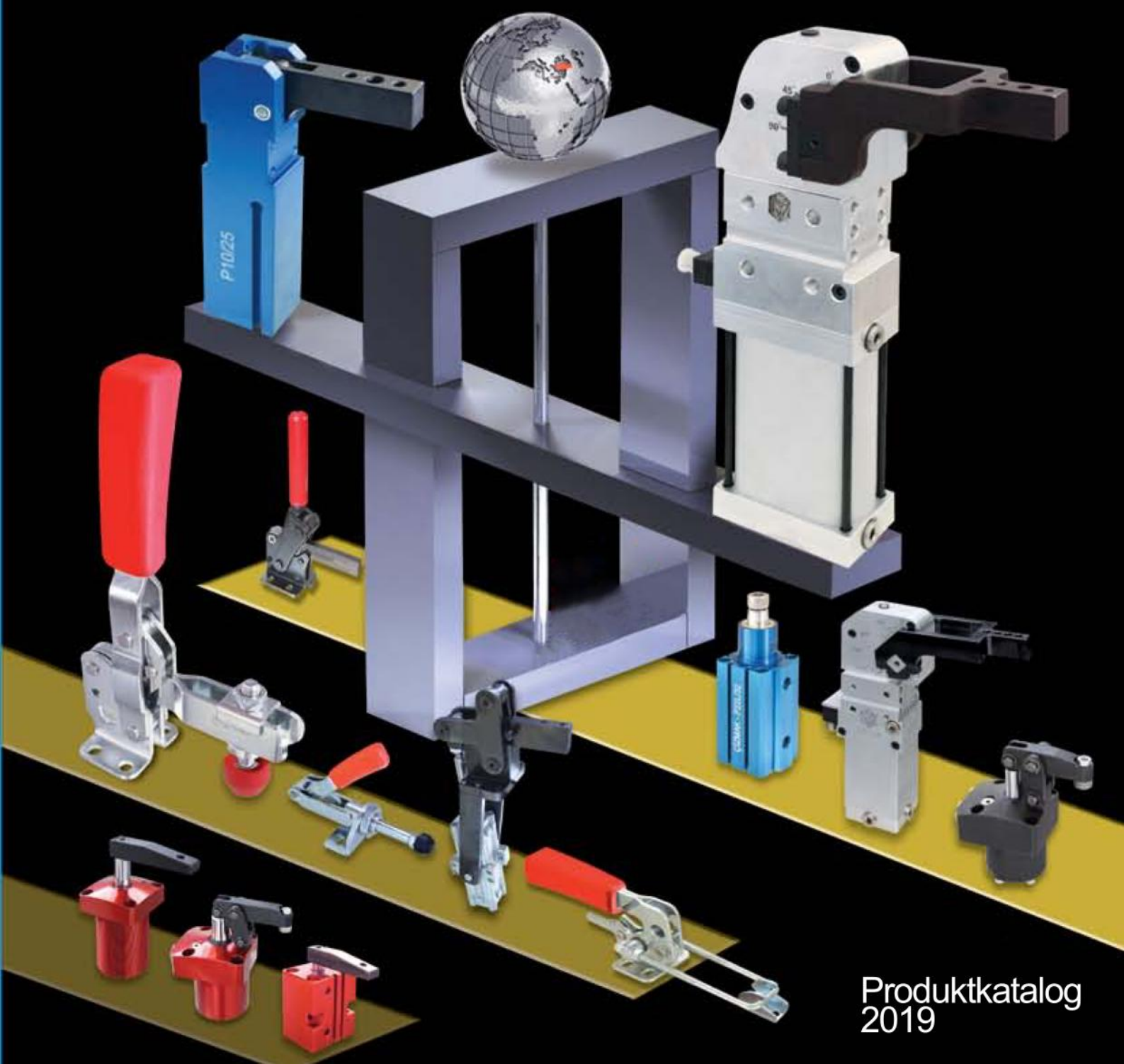


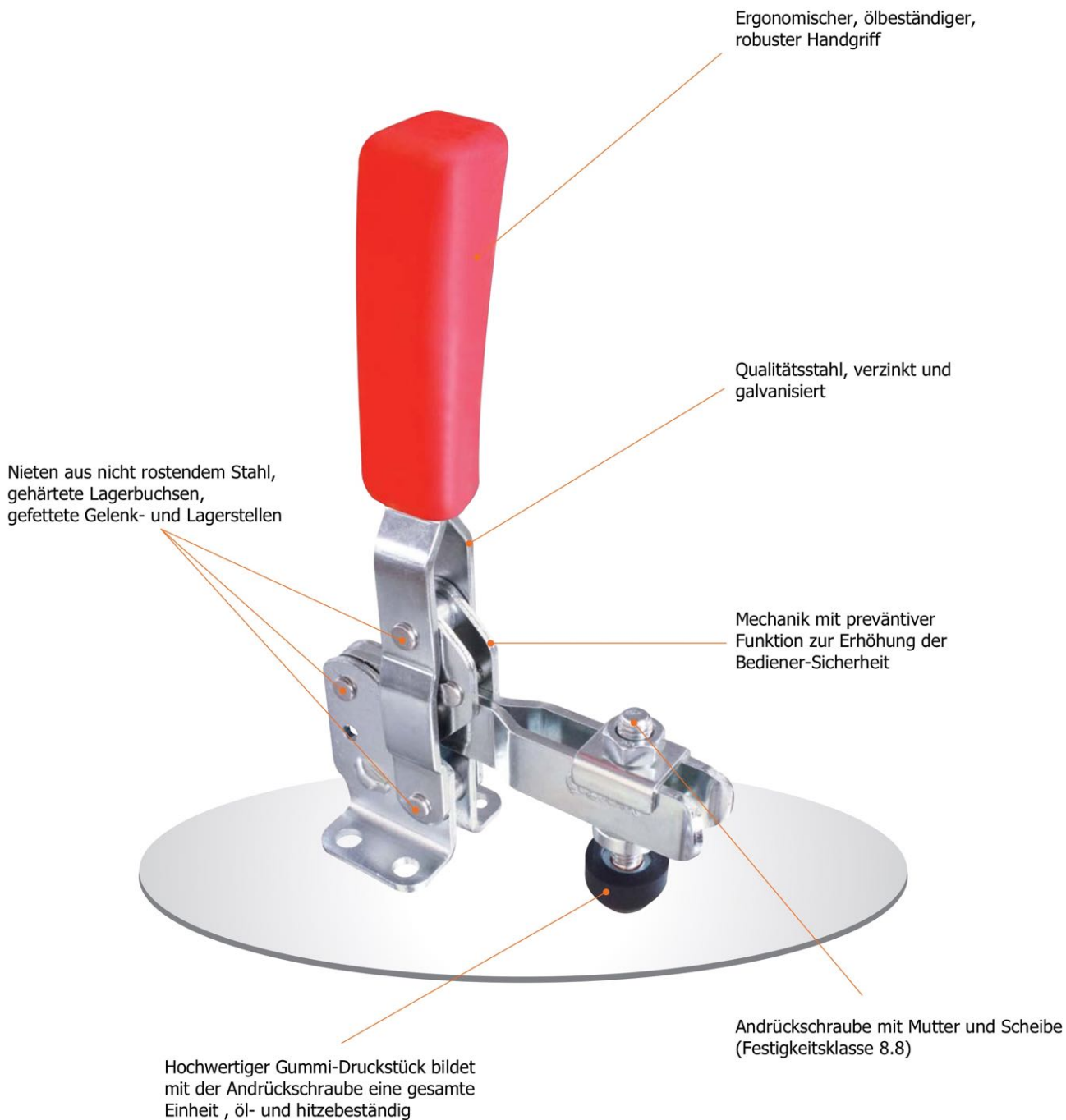
# DESETEC SPANNTECHNIK

M-Serie Manuelle Spannelemente  
- Senkrechtspanner



**Richtige Produkte für eine perfekten Lösung !**

**Schnellspanner von DESETEC...die richtige Wahl für die richtige Lösung !**  
**toggle clamps..**



M10 Senkrechtspanner-Vertikalspanner waagrechter Fuß

M10



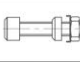

Vertical acting toggle clamps

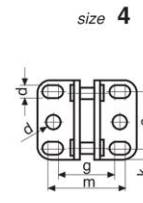
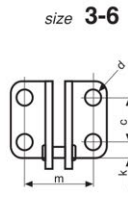
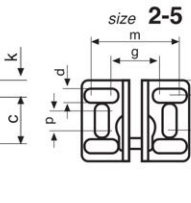
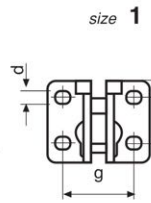
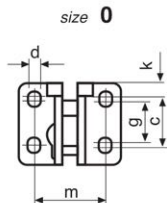
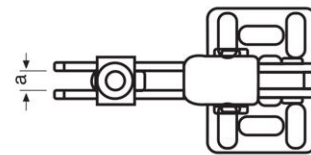
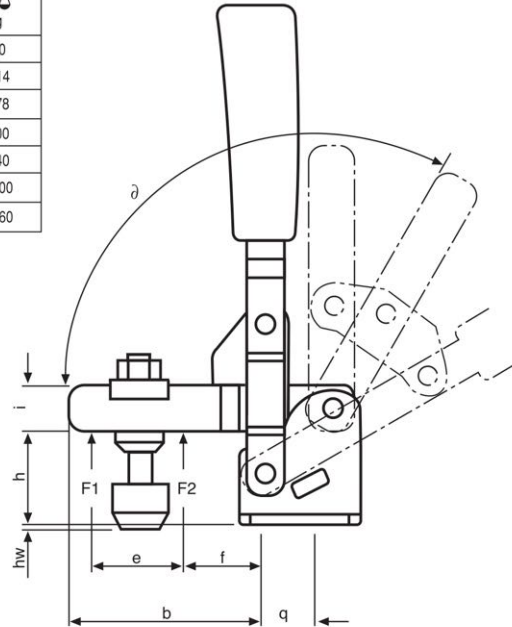
Zinc plated, with red oil resistant plastic handles, bushes case hardened and greased, supplied complete with clamping screw and rubber nose.



Size	a	b	c	d	e	f	g	h	i	k	l	m	n	p	q	∂
0	5	34	13.5	4.5	16	10	8.5	17	8	4.5	-	25.5	-	-	10	88°
1	5.5	41	16	4.5	19	11	26.5	19.5	10	5.5	-	-	-	-	12	88°
2	6.2	51	20	5.3	24	10	23	26	12	6	11	30	26	3	13	100°
3	8.5	72	20	7	29	27	-	36	18	7.5	-	32	-	-	16	105°
4	9	101	34.5	8.5	61	30	34	48	20	9.25	17	45	-	-	22	105°
5	14	137	45	8.5	88	40	45	55	25	10.5	25	50	45	5	31.5	115°
6	14	165	50	10.5	90	55	-	70	30	13	-	55	-	-	35	115°



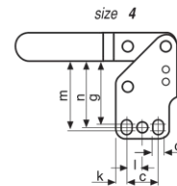
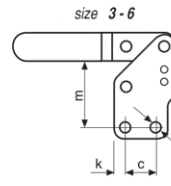
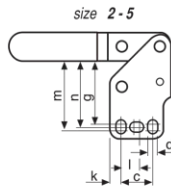
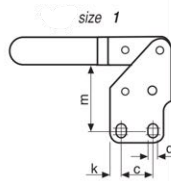
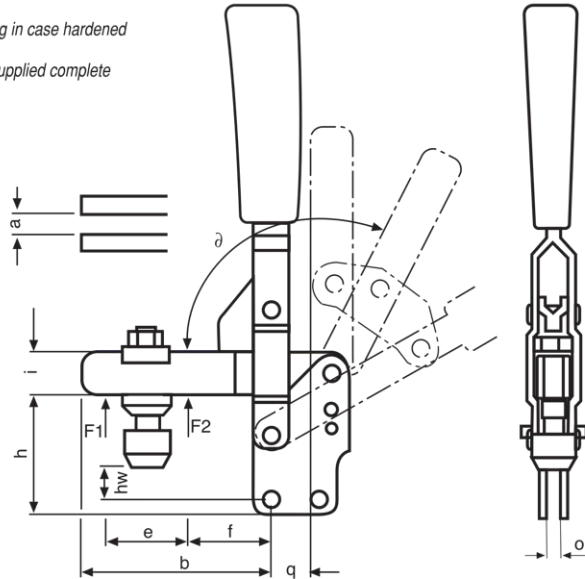
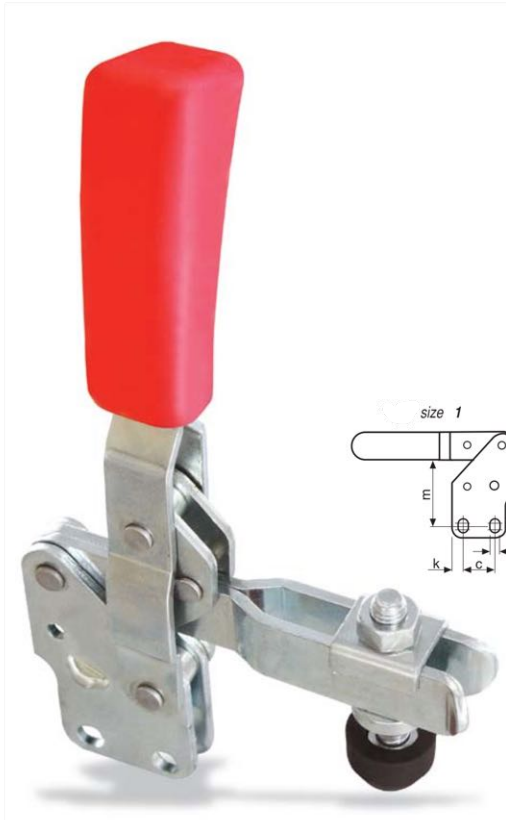
Size	F1 (kN)	F2 (kN)			hw		
0	0.5	0.7	90	50	-3 ÷ 4	M4 x 25	50
1	0.8	1.1	105	60	-4 ÷ 3	M5 x 30	114
2	1.0	1.2	140	76	-3 ÷ 6	M6 x 35	178
3	1.8	2.5	200	105	0 ÷ 12	M8 x 45	400
4	2.0	3.0	230	140	-8 ÷ 21	M8 x 65	740
5	3.0	5.0	265	190	10 ÷ 34	M12 x 80	1500
6	3.5	5.5	300	230	2 ÷ 57	M12 x 110	2160



M11 Senkrechtspanner-Vertikalspanner senkrechter Fuß

M11

Vertical acting toggle clamps  
with open clamping arm and vertical base.  
Galvanized and passivated. Rivets of stainless steel running in case hardened  
bushing, with bearing spots greased.  
Ergonomic handle of red high quality oil-resistant plastic. Supplied complete  
with tempered, galvanized clamping screw no.802



Size	F1 (kN)	F2 (kN)			hw		
1	0.8	1.1	117	60	2 ÷ 9	M5 x 30	114
2	0.8	1.2	153	76	5 ÷ 14	M6 x 35	178
3	1.8	2.5	210	105	8 ÷ 20	M8 x 45	400
4	2.0	3.0	255	140	5 ÷ 33	M8 x 65	740
5	3.0	5	323	190	22 ÷ 45	M12 x 80	1500
6	3.5	5.5	335	230	5 ÷ 57	M12 x 110	2160

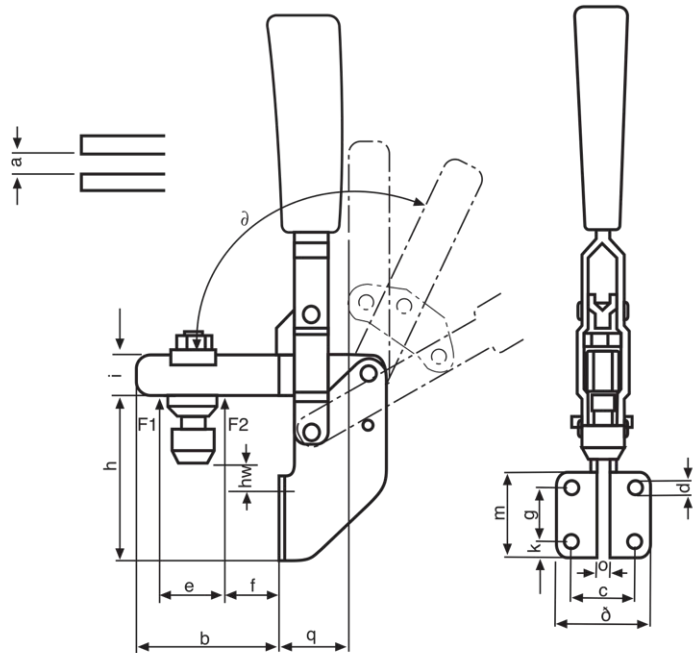
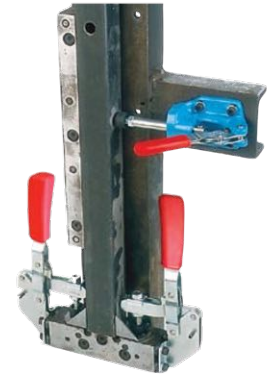
Size	a	b	c	d	e	f	g	h	i	k	l	m	n	o	q	∂
1	5.5	41	16	4.5	19	14	-	31	10	5.5	-	27	-	5	12	88°
2	6.2	51	20	5.3	24	10	30	38	12	5	12	33	31.5	5	13	100°
3	8.5	72	20	7	29	27	-	50	18	7.5	-	44	-	6	16	105°
4	9	101	34.5	8.5	61	30	56.5	71.5	20	9.25	17	60	59	8	22	105°
5	14	137	45	8.5	88	40	65.5	78	25	10.5	25	68	67	10	31.5	115°
6	14	167	50	10.5	90	55	-	106	30	12.5	-	88.5	-	10	35	115°



M12 Senkrechtspanner-Vertikalspanner Winkelfuß

M12

Vertical acting toggle clamps  
with open clamping arm and vertical base.  
Galvanized and passivated. Rivets of stainless steel running in case hardened bushing, with bearing spots greased. Ergonomic handle of red high quality oil-resistant plastic.  
Supplied complete with tempered, galvanized clamping screw no.803



Size	F1 (kN)	F2 (kN)			hw		
1	0.8	1.1	132	60	-1.5 ÷ 5.5	M5 x 30	125
2	1.0	1.2	135	76	2 ÷ 11	M6 x 35	220
3	1.8	2.5	235	105	6 ÷ 18	M8 x 45	470
4	2	3	270	141	11 ÷ 40	M8 x 65	740

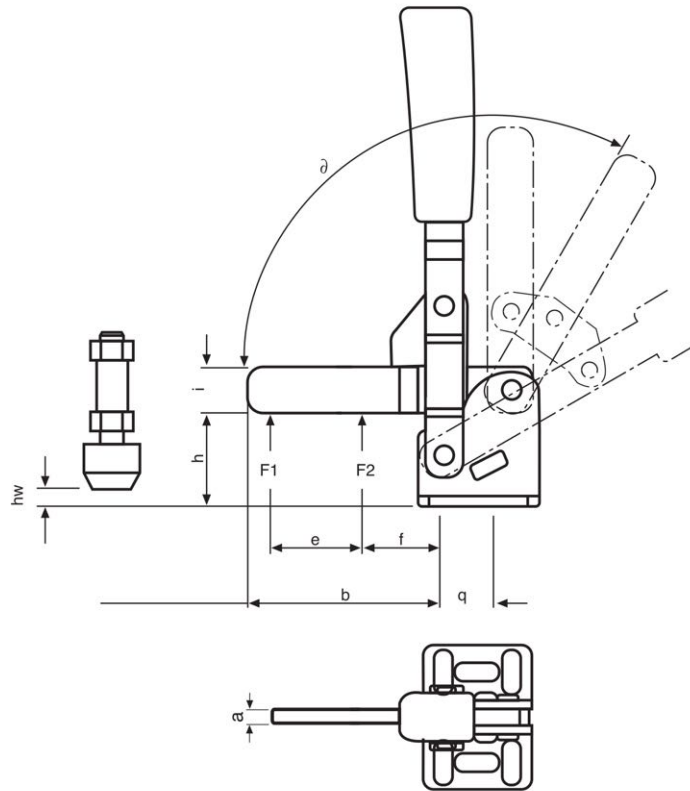
Size	a	b	c	d	e	f	g	h	i	k	l	m	o	q	delta
1	5	38	25	4.5	19	8	14.5	45	10	5.5	35.5	25	6	16	105°
2	6	40	25.5	6	25	9	22	61	12	6	37	34	5	24	105°
3	8.2	58	31.5	7.5	30	14	24	73	18	7	45	39	6	31	105°
4	10	77.5	42	8.5	35	19	28	77	20	7	60	42	8	35	105°

**M10L Senkrechtspanner- massiver Haltearm-waagrechter Fuß**

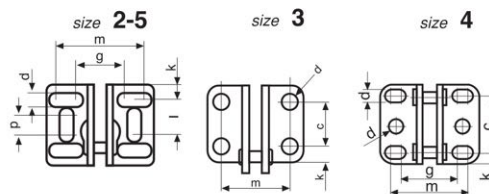
**M10L**

*Vertical acting toggle clamps with solid arm*

*Zinc plated, with red oil resistant plastic handles, bushes case hardened and greased, supplied complete with clamping screw and rubber nose.*



Size	F1 (kN)	F2 (kN)			hw		
2	1.0	1.2	140	76	-3 ÷ 6	M6 x 35	178
3	1.8	2.5	200	105	0 ÷ 12	M8 x 45	400
4	2.0	3.0	230	140	-8 ÷ 21	M8 x 65	740
5	3.0	5.0	265	190	10 ÷ 34	M12 x 80	1500

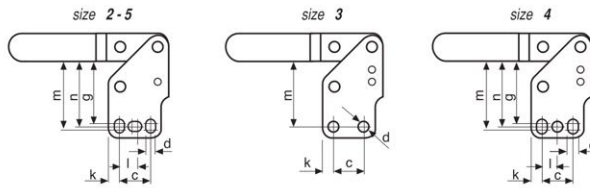
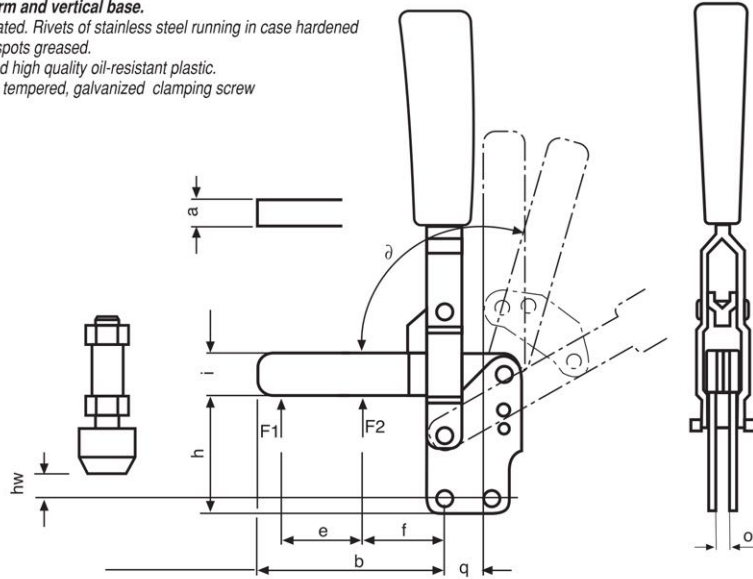
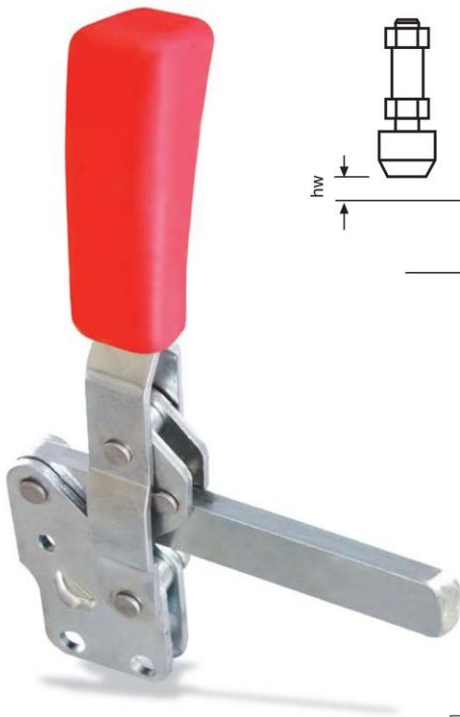


Size	a	b	c	d	e	f	g	h	i	k	l	m	n	p	q	∂
2	5	51	20	5.3	24	10	23	26	12	6	11	30	26	3	13	100°
3	6	72	20	7	29	27	-	36	18	7.5	-	32	-	-	16	105°
4	8	101	34.5	8.5	61	30	34	48	20	9.25	17	45	-	-	22	105°
5	10	137	45	8.5	88	40	45	55	25	10.5	25	50	45	5	31.5	115°

**M11L Senkrechtspanner- massiver Haltearm-senkrechter Fuß**

**M11L**

*Vertical acting toggle clamps with solid arm with open clamping arm and vertical base.*  
Galvanized and passivated. Rivets of stainless steel running in case hardened bushing, with bearing spots greased.  
Ergonomic handle of red high quality oil-resistant plastic.  
Supplied complete with tempered, galvanized clamping screw



Size	F1 (kN)	F2 (kN)			hw		
2	0.8	1.2	153	76	5 ± 14	M6 x 35	178
3	1.8	2.5	210	105	8 ± 20	M8 x 45	400
4	2.0	3.0	255	140	5 ± 33	M8 x 65	740
5	3.0	5	323	190	22 ± 45	M12 x 80	1500

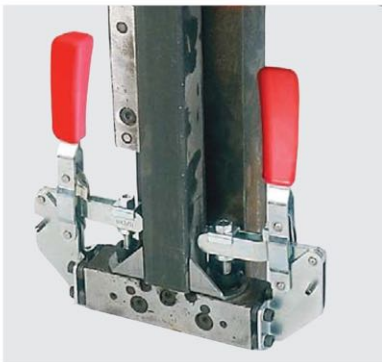
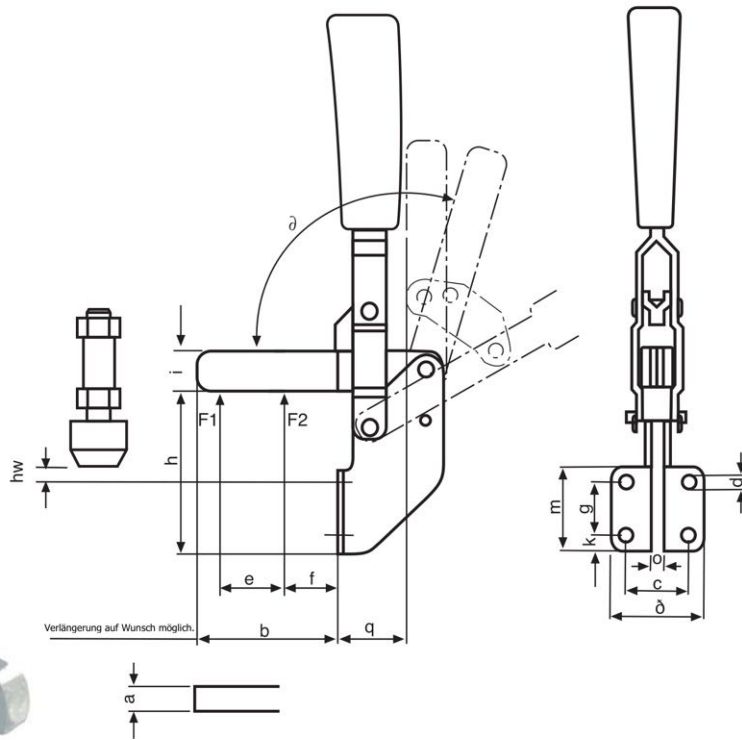
Size	a	b	c	d	e	f	g	h	i	k	l	m	n	o	q	∠
2	5	51	20	5.3	24	10	30	38	12	5	12	33	31.5	5	13	100°
3	6	72	20	7	29	27	-	50	18	7.5	-	44	-	6	16	105°
4	8	101	34.5	8.5	61	30	56.5	71.5	20	9.25	17	60	59	8	22	105°
5	10	137	45	8.5	88	40	65.5	78	25	10.5	25	68	67	10	31.5	115°

**M12L Senkrechtspanner- massiver Haltearm-Winkelfuß**

**M12L**

*Vertical acting toggle clamps with solid arm with open clamping arm and vertical base.*

*Galvanized and passivated. Rivets of stainless steel running in case hardened bushing, with bearing spots greased. Ergonomic handle of red high quality oil-resistant plastic. Supplied complete with tempered, galvanized clamping screw*



Size	F1 (kN)	F2 (kN)			hw		
2	1.0	1.2	135	76	2 ÷ 11	M6 x 35	220
3	1.8	2.5	235	105	6 ÷ 18	M8 x 45	470
4	2	3	270	141	11 ÷ 40	M8 x 65	740

Size	a	b	c	d	e	f	g	h	i	k	l	m	o	q	Δ
2	5	40	25.5	6	25	9	22	61	12	6	37	34	5	24	105°
3	6	58	31.5	7.5	30	14	24	73	18	7	45	39	6	31	105°
4	8	77.5	42	8.5	35	19	28	77	20	7	60	42	8	35	105°



M10S Senkrechtspanner mit Sicherheitsverriegelung

M10S

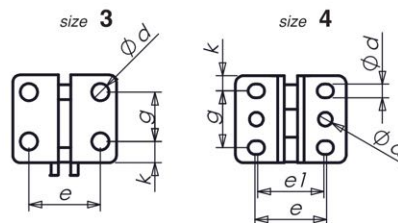
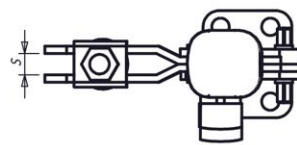
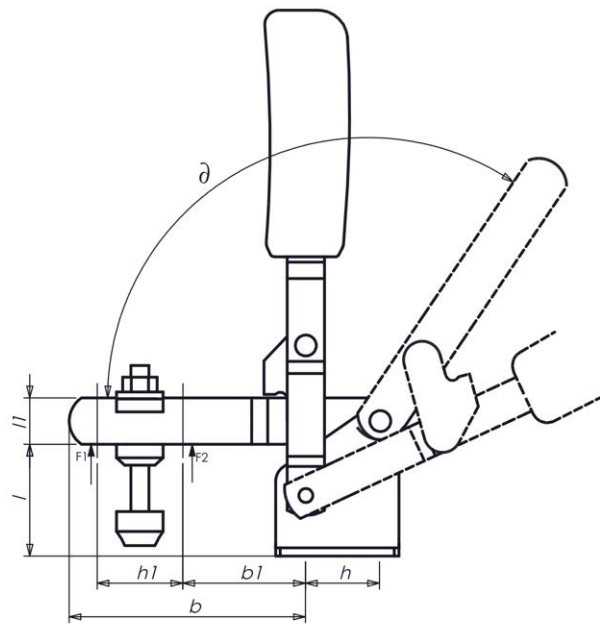
Vertical toggle clamp with release lever

Zinc plated, with red oil resistant plastic handles, bushes case hardened and greased, supplied complete with clamping screw and rubber nose.



Size	F1 (kN)	F2 (kN)				
3	1.8	2.5	200	105	M8 x 45	400
4	2.0	3.0	230	140	M8 x 65	790



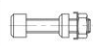

Size	b	b1	d	e	e1	g	h	h1	k	l	l1	s	∂
3	72	27	7	32	-	20	16	29	7.5	36	18	8.5	105°
4	101	30	8.5	45	34	34.5	22	61	9.25	48	20	9	105°



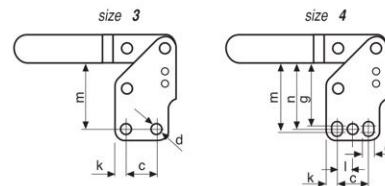
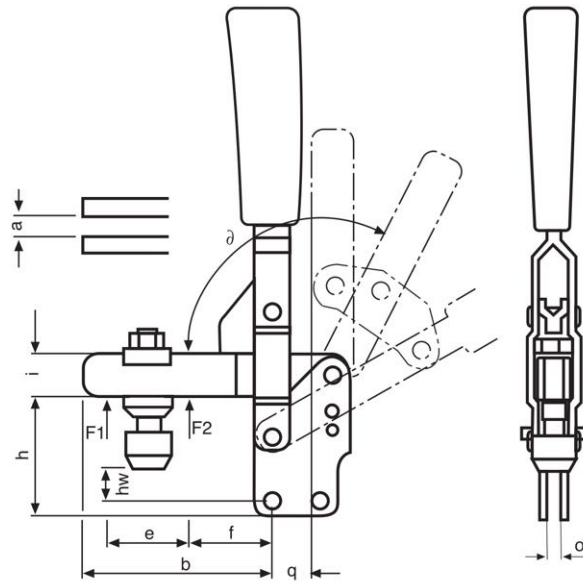
M11S Senkrechtspanner mit Sicherheitsverriegelung

MIIS

Vertical toggle clamp with release lever  
with open clamping arm and vertical base.  
Galvanized and passivated.  
Rivets of stainless steel running in case hardened bushing, with bearing spots greased.  
Ergonomic handle of red high quality oil-resistant plastic.  
Supplied complete with tempered, galvanized clamping screw no.802

Size	F1 (kN)	F2 (kN)			hw		
3	1.8	2.5	210	105	8 + 20	M8 x 45	400
4	2.0	3.0	255	140	5 + 33	M8 x 65	790

Size	a	b	c	d	e	f	g	h	i	k	l	m	n	o	q	∂
3	8.5	72	20	7	29	27	-	50	18	7.5	-	44	-	6	16	105°
4	9	101	34.5	8.5	61	30	56.5	71.5	20	9.25	17	60	59	8	22	105°



M12S Senkrechtspanner mit Sicherheitsverriegelung

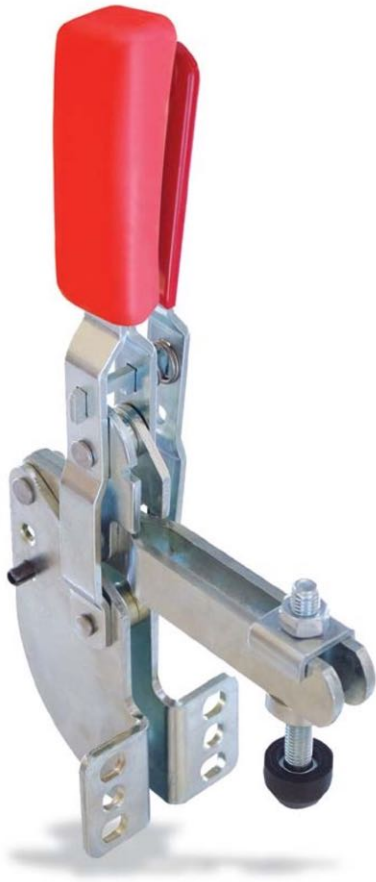
M12S

Vertical toggle clamp with release lever  
with open clamping arm and vertical base.

Galvanized and passivated. Rivets of stainless steel running in case hardened bushing, with bearing spots greased.

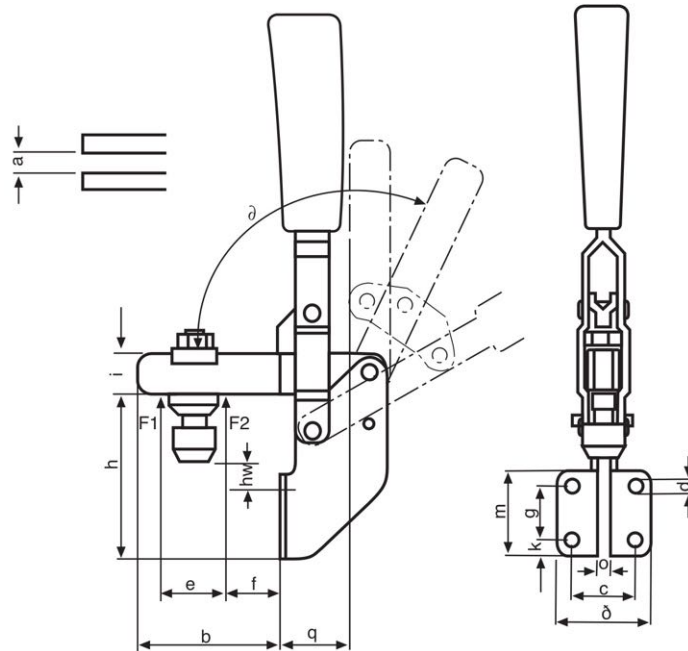
Ergonomic handle of red high quality oil-resistant plastic.

Supplied complete with tempered, galvanized clamping screw no.803



Size	F1 (kN)	F2 (kN)			hw		
3	1.8	2.5	235	105	6 ÷ 18	M8 x 45	470
4	2	3	270	141	11 ÷ 40	M8 x 65	790

Size	a	b	c	d	e	f	g	h	i	k	l	m	o	q	∠
3	8.2	58	31.5	7.5	30	14	24	73	18	7	45	39	6	31	105°
4	10	77.5	42	8.5	35	19	28	77	20	7	60	42	8	35	105°





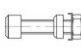

M10K Senkrechtspanner für optische Messtechnik

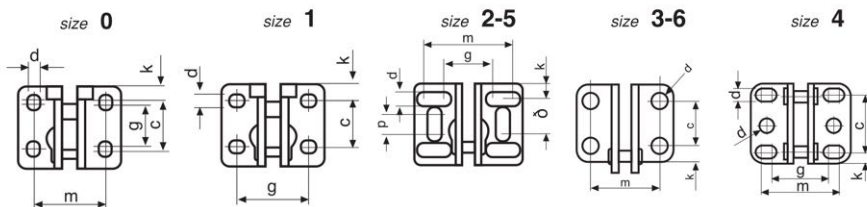
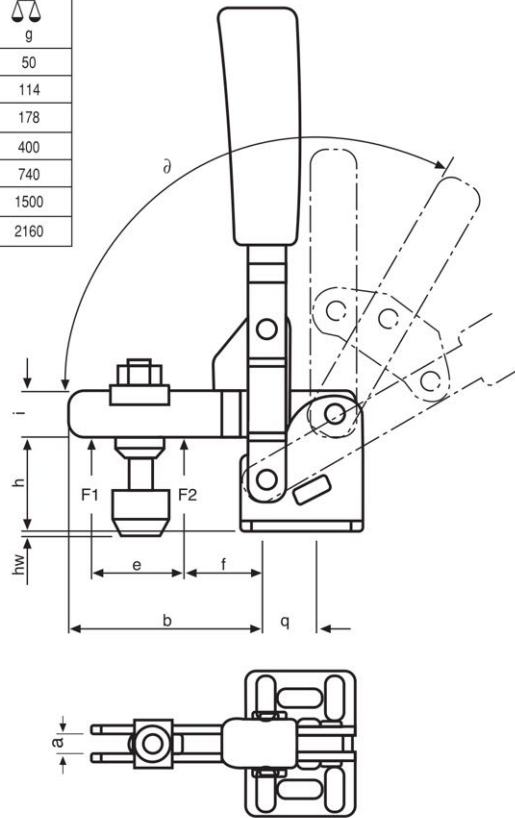
M10K

Vertical acting toggle clamps - black

Matte-black body with black oil resistant plastic handle.  
Bushes case-hardened and greased.  
Supplied complete with clamping screw and rubber nose.

Size	a	b	c	d	e	f	g	h	i	k	l	m	n	p	q	∅
0	5	34	13.5	4.5	16	10	8.5	17	8	4.5	-	25.5	-	-	10	88°
1	5.5	41	16	4.5	19	11	26.5	19.5	10	5.5	-	-	-	-	12	88°
2	6.2	51	20	5.3	24	10	23	26	12	6	11	30	26	3	13	100°
3	8.5	72	20	7	29	27	-	36	18	7.5	-	32	-	-	16	105°
4	9	101	34.5	8.5	61	30	34	48	20	9.25	17	45	-	-	22	105°
5	14	137	45	8.5	88	40	45	55	25	10.5	25	50	45	5	31.5	115°
6	14	165	50	10.5	90	55	-	70	30	13	-	55	-	-	35	115°

Size	F1 (kN)	F2 (kN)			hw		
0	0.5	0.7	90	50	-3 ÷ 4	M4 x 25	50
1	0.8	1.1	105	60	-4 ÷ 3	M5 x 30	114
2	1.0	1.2	140	76	-3 ÷ 6	M6 x 35	178
3	1.8	2.5	200	105	0 ÷ 12	M8 x 45	400
4	2.0	3.0	230	140	-8 ÷ 21	M8 x 65	740
5	3.0	5.0	265	190	10 ÷ 34	M12 x 80	1500
6	3.5	5.5	300	230	2 ÷ 57	M12 x 110	2160



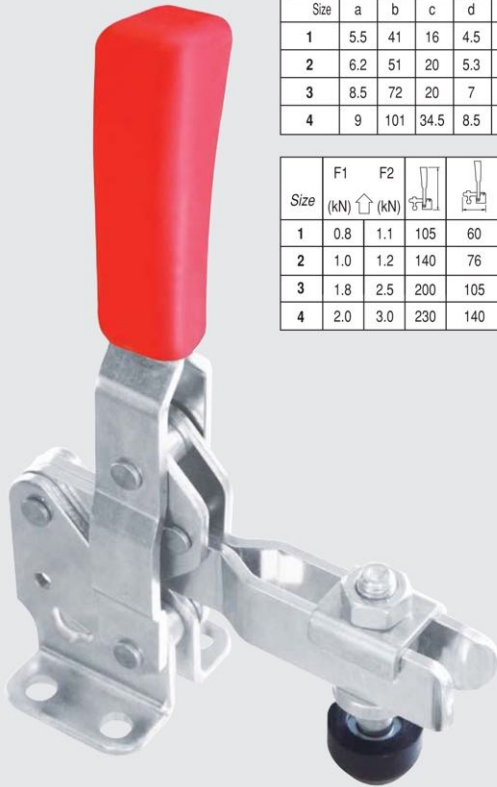


M10P Senkrechtspanner – rostfreie Version

M10P

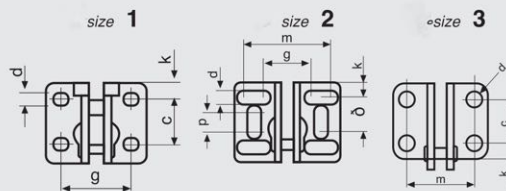
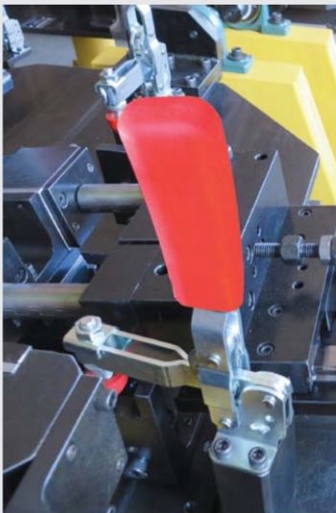
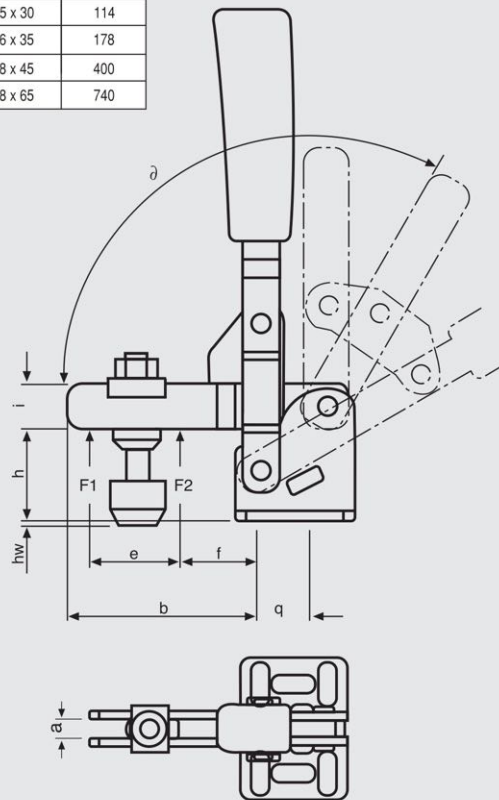
Vertical acting toggle clamps

Zinc plated, with red oil resistant plastic handles, bushes case hardened and greased, supplied complete with clamping screw and rubber nose.



Size	a	b	c	d	e	f	g	h	i	k	l	m	n	p	q	∂
1	5.5	41	16	4.5	19	11	26.5	19.5	10	5.5	-	-	-	-	12	88°
2	6.2	51	20	5.3	24	10	23	26	12	6	11	30	26	3	13	100°
3	8.5	72	20	7	29	27	-	36	18	7.5	-	32	-	-	16	105°
4	9	101	34.5	8.5	61	30	34	48	20	9.25	17	45	-	-	22	105°

Size	F1 (kN)	F2 (kN)			hw		
1	0.8	1.1	105	60	-4 ÷ 3	M5 x 30	114
2	1.0	1.2	140	76	-3 ÷ 6	M6 x 35	178
3	1.8	2.5	200	105	0 ÷ 12	M8 x 45	400
4	2.0	3.0	230	140	-8 ÷ 21	M8 x 65	740





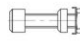

M10K Senkrechtspanner für optische Messtechnik

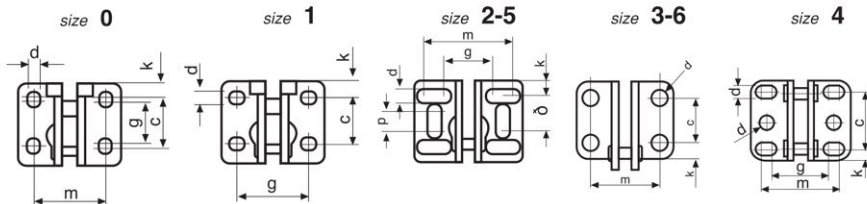
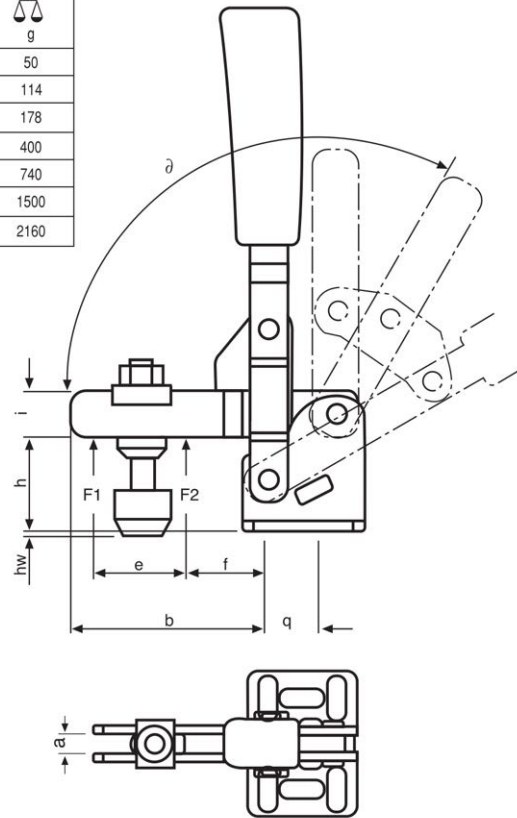
M10K

Vertical acting toggle clamps - black

Matte-black body with black oil resitant plastic handle.  
Bushes case-hardened and greased.  
Supplied complete with clamping screw and rubber nose.

Size	a	b	c	d	e	f	g	h	i	k	l	m	n	p	q	∅
0	5	34	13.5	4.5	16	10	8.5	17	8	4.5	-	25.5	-	-	10	88°
1	5.5	41	16	4.5	19	11	26.5	19.5	10	5.5	-	-	-	-	12	88°
2	6.2	51	20	5.3	24	10	23	26	12	6	11	30	26	3	13	100°
3	8.5	72	20	7	29	27	-	36	18	7.5	-	32	-	-	16	105°
4	9	101	34.5	8.5	61	30	34	48	20	9.25	17	45	-	-	22	105°
5	14	137	45	8.5	88	40	45	55	25	10.5	25	50	45	5	31.5	115°
6	14	165	50	10.5	90	55	-	70	30	13	-	55	-	-	35	115°

Size	F1 (kN)	F2 (kN)			hw		
0	0.5	0.7	90	50	-3 ÷ 4	M4 x 25	50
1	0.8	1.1	105	60	-4 ÷ 3	M5 x 30	114
2	1.0	1.2	140	76	-3 ÷ 6	M6 x 35	178
3	1.8	2.5	200	105	0 ÷ 12	M8 x 45	400
4	2.0	3.0	230	140	-8 ÷ 21	M8 x 65	740
5	3.0	5.0	265	190	10 ÷ 34	M12 x 80	1500
6	3.5	5.5	300	230	2 ÷ 57	M12 x 110	2160



Anwendungsbeispiel



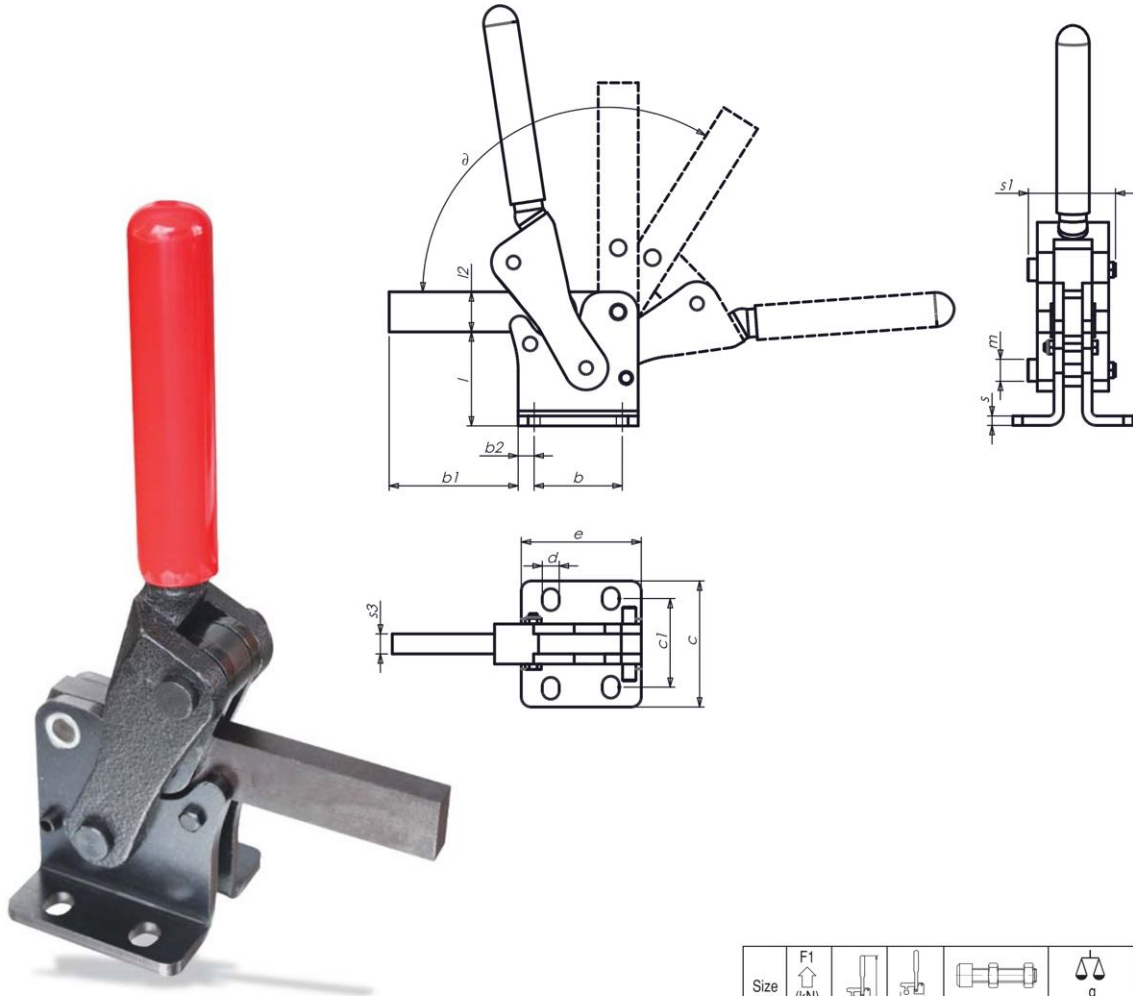


M33 Schwerer Senkrechtspanner – schwere Ausführung

M33

Heavy vertical acting toggle clamps  
with horizontal base

Reamed and case-hardened bearing bushes. Hardened, ground and permanently-lubricated pins.  
Clamp nuts on lever arm to vary friction in movement.  
Materials, steel, blued.  
Lever arm made of cast steel, blued. Handle of red, oil-resistant plastic.  
Complete with tempered, galvanized clamping screw.



Size	F1 (kN)				
4	7.0	86	148	M12 x 80	970
6	10.0	106	182	M12 x 110	1750

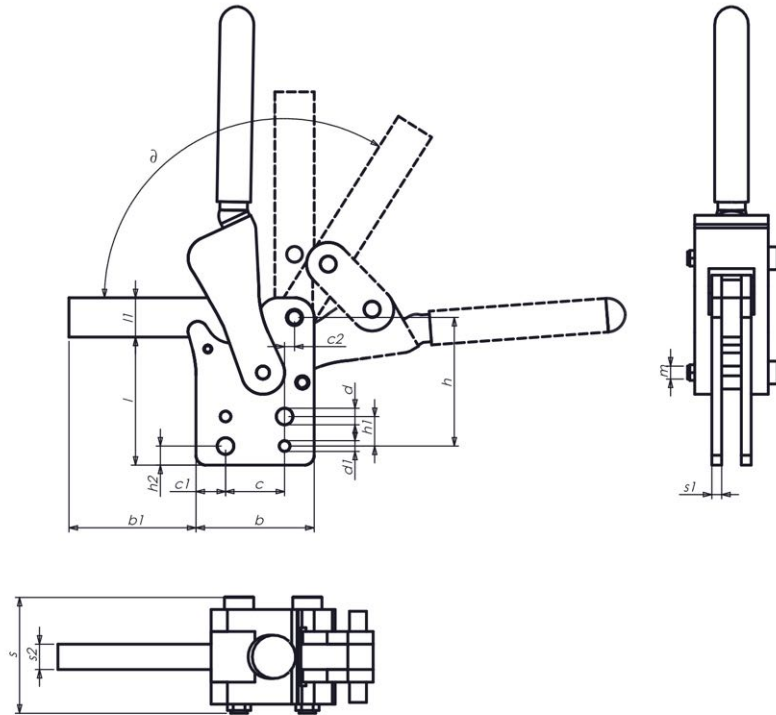
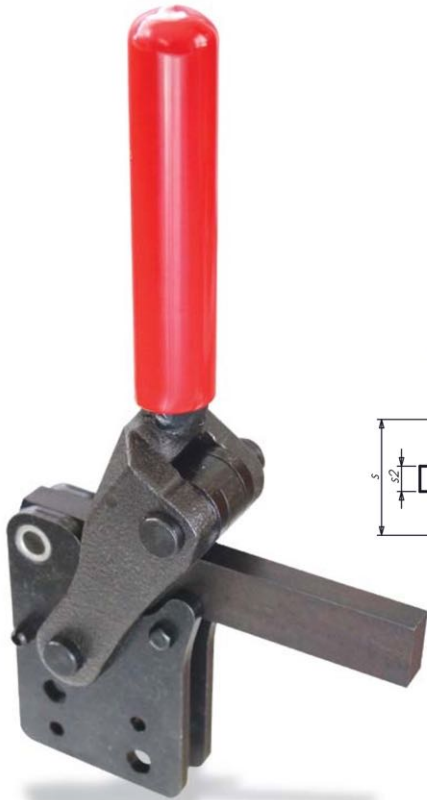
/ Size	b	b1	b2	c	c1	d	e	l	l2	m	s	s1	s3	α
4	30	70	15	63	44	8.5	60	47	20	M8	5	46	10	120°
6	45	95	15	75	52	10.5	75	67	25	M10	5	60	12	120°



M34 Schwerer Senkrechtspanner – schwere Ausführung

M34

**Heavy vertical acting toggle clamps with vertical base and mounting holes.**  
Reamed and case-hardened bearing bushes. Hardened, ground and permanently-lubricated pins.  
Clamp nuts on lever arm to vary friction in movement.  
Materials, steel, blued.  
Lever arm made of cast steel, blued. Handle of red, oil-resistant plastic.  
Complete with tempered, galvanized clamping screw.



Size	F1 (kN)				
4	7.0	86	148	M12 x 80	970
6	10.0	106	182	M12 x 110	1750

Size	b	b1	c	c1	d	d1	h	h1	h2	l	l1	m	s	s1	s2	δ
4	60	86	30	15	8.5	5.5	65	15	10	52	20	M8	52	5	10	120°
6	75	106	45	15	10.5	7.5	87.5	20	15	72	25	M10	60	5	12	120°