

PSB – Pneumatic Schwing Clamp, Block type



Product Features :

- Compact Block type compact series
- mountable from top, bottom and side
- lightweight, robust and reliable
- high durability
- Holding capacity 0.23kN to 1.96kN
- Optional end-position monitoring/sensoring
- Complete with clamping arm
- Double acting

PSB Pneumatischer Schwenkspanner Blockversion - PSB pneumatic block swing clamp

Max. Betriebsdruck 7 bar
Min. Betriebsdruck 4 bar
doppel wirkend

Max.operating pressure 7bar
Min: operating pressure 4bar
Double acting

Model No.	Spannkraft bei 7 bar (kN)	Schwenkhub (mm)	Spannhub (mm)	Gesamthub (mm)	Ölbedarf Spannen (cm3)	Ölbedarf Entspannen (cm3)	eff. Kolbenfläche Spannen (cm2)	eff. Kolbenfläche Entspannen (cm2)	Betriebs-temperatur (°C)
PSB-25	0,23	13	14	27	13,26	9,10	4,91	3,37	-10~+60C
PSB-32	0,42	16	14	30	24,12	18,06	8,04	6,02	
PSB-40	0,74	15	15	30	37,68	31,68	12,56	10,56	
PSB-50	1,155	17	15	32	62,82	52,80	19,63	16,5	
PSB-63	1,96	15	15	30	93,48	84,06	31,16	28,02	
Model No.	Clamping force at 7 bar (kN)	Swing stroke(mm)	Clamping stroke (mm)	Total stroke (mm)	Oil capacity clamp (cm³)	Oil capacity unclamp (cm³)	eff.piston area clamp (cm²)	eff.piston area unclamp (cm²)	Range of temperature (C)

Features:

This product is perfect , design in brief,the structure is compact, the weight is light,the service life is long and holding capacity is strong. You can install an inductor on this product if you need. Fixing from top , base or the side of cylinder is ok.

Note:

When you need to increase the length of the clamping arm, please don't exceed 1.5 times of the original length.

Achtung :

Eine eventuelle Verlängerung des Spannarms darf nicht das 1,5-fache der Originallänge überschreiten. Nur mit geölter und gefilterter Luft verwenden !

Typenbezeichnung (Bestell-Code)

PSB - L 40 x 90 S1 P
① ② ③ ④ ⑤ ⑥

①	PSB	Serie	PSB
②	R	Schwenkrichtung	R: Rechts L: Links
③	40	Kolben-Innendurchmesser	Φ25, Φ32, Φ40, Φ50, Φ63
④	90	Schwenkwinkel	0°, 45° oder 90° (±2°) Standard : 90° (±2°)
⑤	S1	Näherungsschalter (Sensoren)	1 Sensor S1, 2 Sensoren S2
⑥	P	Präzision Spannposition	Arretierbolzen, um Wiederholungsgenauigkeit der Spannposition zu verbessern (optional)

Ordering Indication

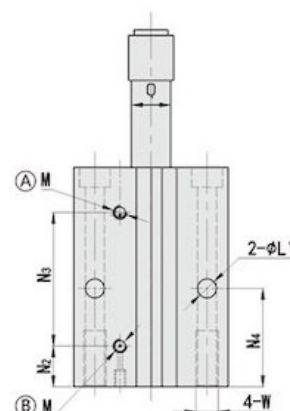
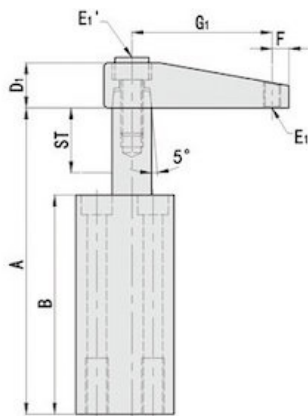
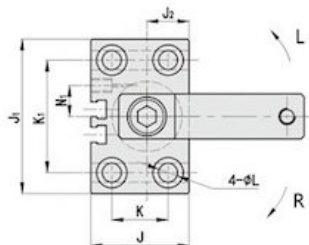
PSB - L 40 x 90 S1 P
① ② ③ ④ ⑤ ⑥

①	PSB	Series	PSB
②	R	Rotating direction	R: Turn right L: Turn left
③	40	Cylinder inside diameter	Φ25, Φ32, Φ40, Φ50, Φ63
④	90	Rotating angle	0°, 45° oder 90° (±2°) Standard : 90° (±2°)
⑤	S1	Sensor switch	1 sensor S1, 2 sensors S2
⑥	P	Precision position	Locating pin, to improve the repeat precision of rotation angle (optional)

► Swing stroke 13mm
Clamping stroke 14mm

DESETEC SPANNTTECHNIK
* Partner für Industrie und Handel

- Ⓐ SPANNEN / Clamping port
- Ⓑ ENTSPANNEN / Unclamping port



Dimension table

Unit:mm

ITEM MODEL	ST:Swing/Clamping	A Unclamp	B	D1	E1	E1'	F	G1	J	J1	J2	K	K1	N1	N2	N3	N4	L	L'	M	W	Q
PSB-25	27:13/14	109	78	□16	M6	M8	6	50	35	55	15	20	40	11	14,5	47,5	35	Φ6.8-Φ11*7D	Φ6.8	M5	M8*20D	Φ14
PSB-32	30:16/14	126	90	□19	M8	M8	9	60	45	60	20	30	45	12	21	51,5	45	Φ6.8-Φ11*7D	Φ6.8	PT1/8	M8*25D	Φ16
PSB-40	30:15/15	126	90	□19	M8	M8	9	70	55	70	25	37	52	15	22	49	40	Φ8.5-Φ14*9D	Φ8.5	PT1/8	M10*20D	Φ16
PSB-50	32:17/15	137	100	□25	M12	M10	10	80	65	85	30	46	66	17,5	25	53,5	40	Φ8.5-Φ14*9D	Φ8.5	PT1/8	M10*30D	Φ20
PSB-63	30:15/15	137	100	□25	M12	M10	10	90	80	100	37,5	60	80	18	20,5	56,5	35	Φ10.5-Φ16.5*10.5D	Φ10.5	PT1/8	M12*25D	Φ20